

We suggest that you take a few moments and familiarize yourself with the names of our parts by referring to the drawing below.

- | | | |
|---|---|--|
| <p>1 Leadscrew adjusting Knob</p> <p>2 Brass Locking Thumbscrews (Long) for approximate positioning</p> <p>3 Brass Locking Thumbscrew (Short) for Spindle Locking</p> <p>4 Stainless Steel Lead Screw/Spindle</p> <p>5 Laser-Etched Micrometer Dial</p> <p>6 Spindle Bar</p> <p>7 Main Body</p> <p>8 Mounting Bar (Interchangeable to fit other routers)</p> <p>9 Stainless Steel Guide Shafts</p> <p>10 Mounting Pins (Vary according to router model)</p> | <p>11a 8-32 Tapped holes (To attach wood fence or half-rounds)</p> <p>12 Press fit bushings</p> <p>13 Thrust Washer</p> <p>14 Thrust Washer</p> | <p>15 Metal Wave Washer</p> <p>16 Lock Nut</p> |
|---|---|--|

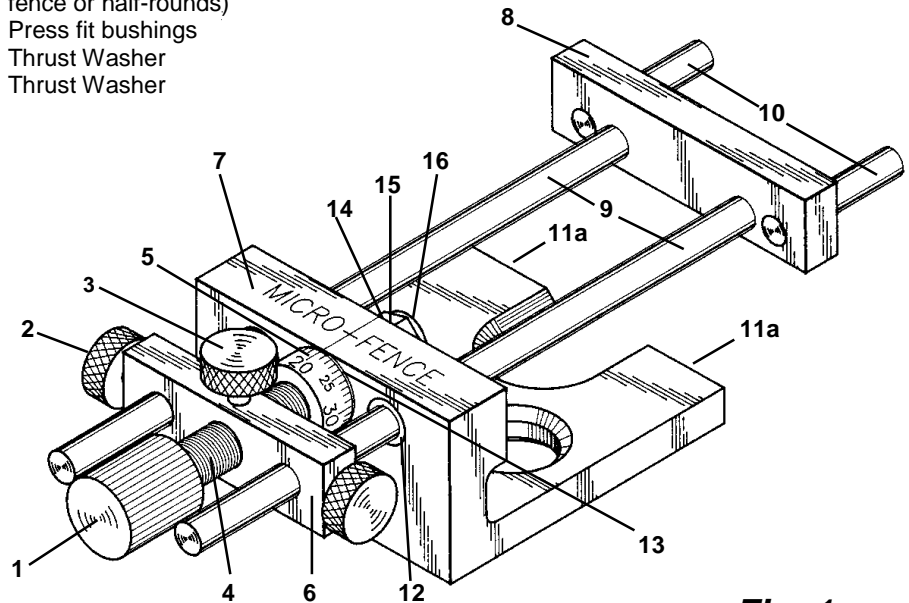


Fig. 1