

Micro Fence Vacuum Center Assembly

13160 Saticoy St. N. Hollywood, CA 91605 Phone 1-800-480-6427

Email: microfence@microfence.com

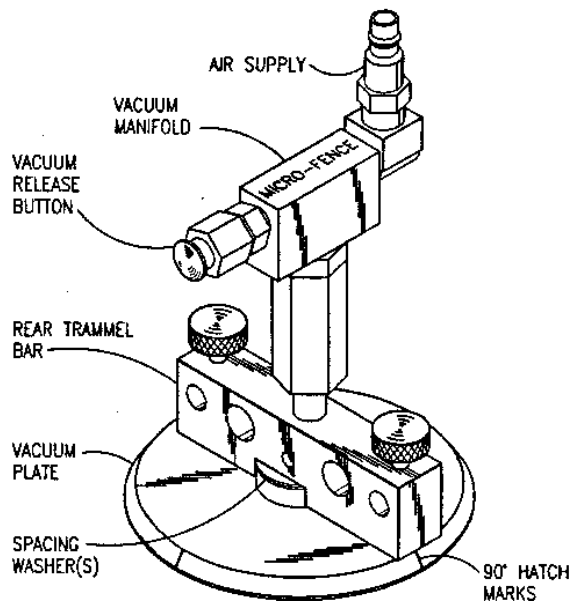
Website: www.microfence.com

INSTRUCTIONS FOR OPERATION:

When used with the **Micro Fence Circle Jig**, our **Vacuum Center Assembly** provides the ability to cut curves and circles from approximately **16" to 48"** without the need for a pilot hole. Utilizing compressed air, the tool will generate a continuous vacuum to securely anchor the center of your Circle Jig to most work surfaces.

The Vacuum Center Assembly comes packaged with one industrial style quick disconnect fitting and a replacement "O" ring. Please check when you receive the unit to see that these parts are included.

A **dry, filtered** air source is recommended at an operating pressure range of **80 to 100 psi**. Care should be taken to insure that both work surface and vacuum sealing "O" ring are clean and dust-free before use. Any foreign material can interrupt the continuous vacuum being generated and weaken the grip of the unit on the workpiece.



Your Vacuum Center has been extensively tested for its gripping capability on most commonly used cabinet and furniture-making materials including plywood, solid lumber, plastic laminates and solid surface. Obviously, the general rule is that the smoother and flatter the surface, the stronger the grip that the vacuum plate can achieve. Material density can also effect this tool's holding strength. More porous materials, (such as particle board), can allow air to be pulled up through them and weaken the Vacuum Center's grip.

Always conduct an air-activated test with the Vacuum Center mounted on the actual job material and evaluate it's holding capability before performing actual cutting operations. Keep the "O" ring clean. Dust impregnation can cause slippage!

SET UP AND ALIGNMENT:

Before using your Vacuum Center in actual cutting operations, we encourage you to double-check the "factory set-up" for compatibility with your own router. The Vacuum unit is fitted with a white nylon "spacing washer(s)" to position the rear trammel bar at a height that will allow your Circle Jig to be attached in a manner parallel to the work surface, (see dimensions A & B in Fig. 2). ***It is critical to proper operation that this parallel quality be maintained within reasonable tolerances (.010" to .015")***. The true test, of course, is whether or not your router's base remains flat on the work surface as it makes it's full circular motion.

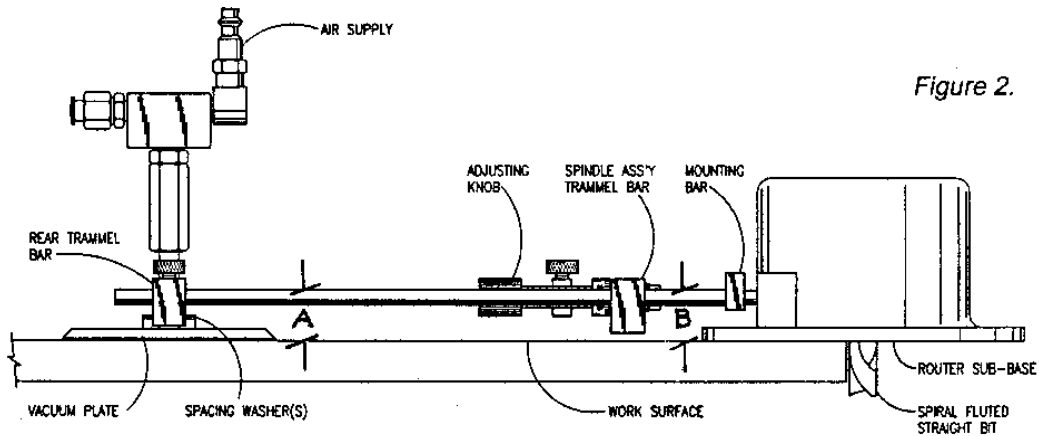


Figure 2.

Once you are satisfied with the horizontal alignment of the Circle Jig and the work surface, you are ready to address specific cutting operations. The Vacuum Center is equipped with a vacuum release button that will allow you to move and precisely position it when the air supply has been connected. While holding the release button in, simply align the 90 ° hatch marks at the perimeter of the vacuum plate with your own pre-marked centerlines on the work surface. When properly aligned, let go of the button and simultaneously seat the Vacuum Center Assembly with a slight downward pressure as you release. **Check to insure that secure vacuum grip has been achieved.**

We recommend your circles be initially “blanked out” slightly oversized with either band or saber saw, and then trued to perfection with our Circle Jig and your router fitted with a spiral-fluted straight bit. Our recommendations for circle cutting are covered completely in your **Circle Jig Attachment instructions**. Please refer to page 2, “Circles Between 12” and 48” Diameter”.

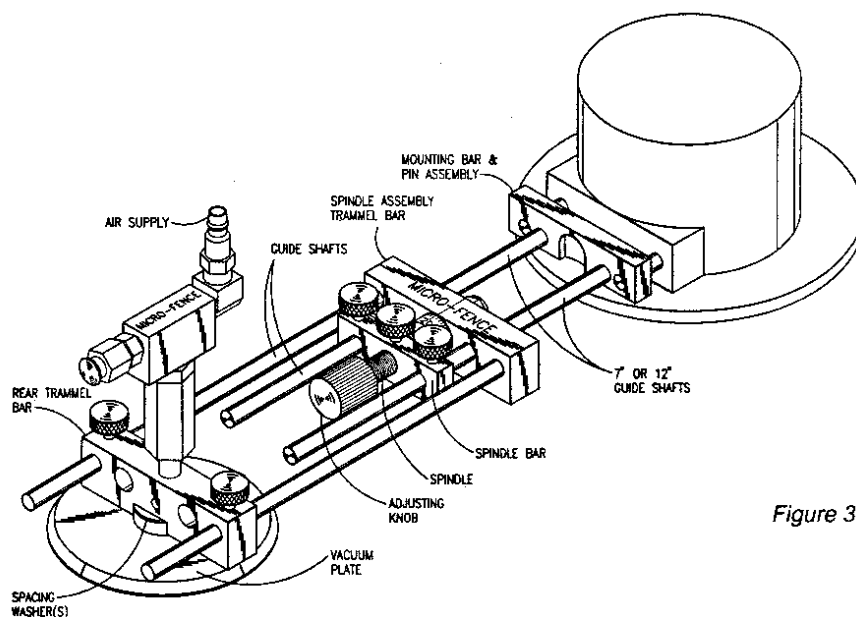
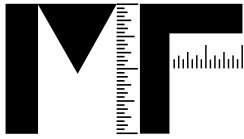


Figure 3



Micro Fence Vacuum Center Assembly

13160 Saticoy St. N. Hollywood, CA 91605 Phone 1-800-480-6427

Email: microfence@microfence.com

Website: www.microfence.com

ADJUSTING VERTICAL HEIGHT FOR USE WITH DIFFERENT ROUTERS:

Your Vacuum Center Assembly comes set up for the router you have called out, and is packaged with several **spacing washers** of varying thickness, (.031, .062, .080 and .125). Different vertical heights required for other routers can be achieved by adding or removing washers. They may be stacked in various combinations to align the Circle Jig guide shafts in a manner parallel to your work surface. (Check the dimensions indicated by letter call outs A & B in Fig. 2). Unscrew the vacuum plate and install the proper washer, (or combination of washers), under the rear trammel bar.

MAINTENANCE:

Insure that your compressed air source is providing clean, dry air to the Vacuum Center. Unfiltered, damp or oily air supply can affect the efficiency and durability of the vacuum pump. If contaminated air supply is suspected, remove the supply and exhaust side fittings and inspect the interior chamber for debris or dampness. Clean if necessary. Feel free to call for technical support at **1-800-480-6427(MICRO)**.

The in-line filter, (housed in the hexagonal portion of the assembly just above the trammel bar), should be inspected if the vacuum gripping strength suddenly diminishes. The element can be replaced if necessary. Call Micro Fence for replacement parts.

The "O" ring vacuum seal should be kept as clean and dust free as possible. Dust impregnation can cause the vacuum base to slip under cutting load. It can be wiped with denatured or rubbing alcohol, or even Windex or similar surface cleaner. If the ring becomes abraded or worn install the spare one included with the tool or call for replacement parts.

Be sure to tighten all mounting and adjusting screws firmly. Failure to do so can result in spoiled work or injury. We encourage you to develop the habit of rechecking tightness frequently during use.