

We suggest that you take a few moments and familiarize yourself with the names of our parts by referring to the drawing below.

- | | | |
|--|---|----------------------|
| 1 Leadscrew adjusting Knob | 11a 8-32 Tapped holes (To attach wood fence or half-rounds) | 15 Metal Wave Washer |
| 2 Brass Locking Thumbscrews (Long) for approximate positioning | 12 Press fit bushings | 16 Lock Nut |
| 3 Brass Locking Thumbscrew (Short) for Spindle Locking | 13 Thrust Washer | |
| 4 Stainless Steel Lead Screw/Spindle | 14 Thrust Washer | |
| 5 Laser-Etched Micrometer Dial | | |
| 6 Spindle Bar | | |
| 7 Main Body | | |
| 8 Mounting Bar (Interchangeable to fit other routers) | | |
| 9 Stainless Steel Guide Shafts | | |
| 10 Mounting Pins (Vary according to router model) | | |

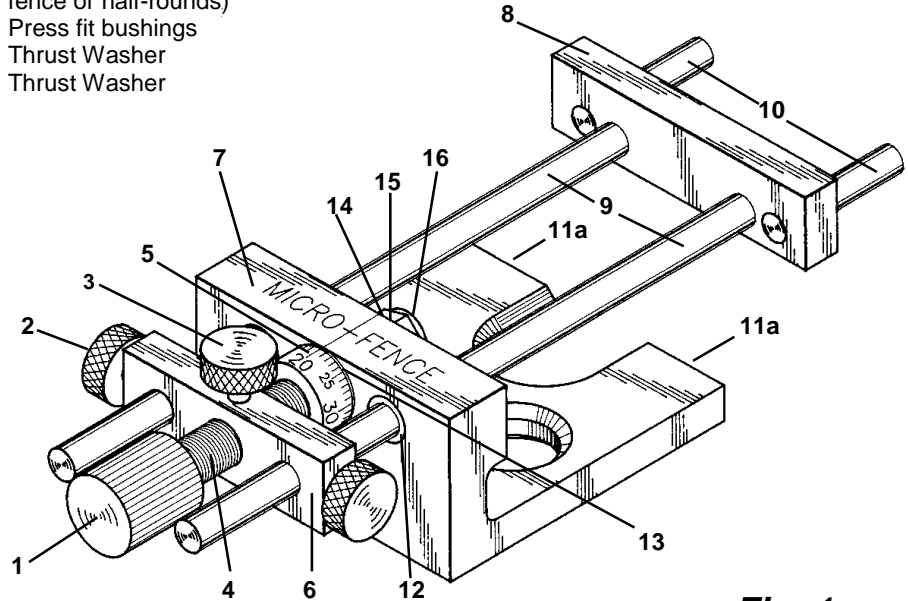


Fig. 1

PREFACE

Measurement – the core philosophy of Micro Fence

Most woodworkers would probably agree that the router is the most versatile tool in the woodshop. We contend that an edge guide is the most versatile accessory that works with the router. It can do a myriad of different woodworking jobs. Whether the work piece is straight or curved, the primary function of the fence is to guide the router bit in a path parallel to the edge. Your Micro Fence is the first and only edge guide to provide you with reliable and accurate settings of the distance between the fence and the router bit. Borrowing directly from the machine-tool trade, it features a built-in micrometer that measures in thousandths-of-an-inch to make any set-up precise, efficient and repeatable.