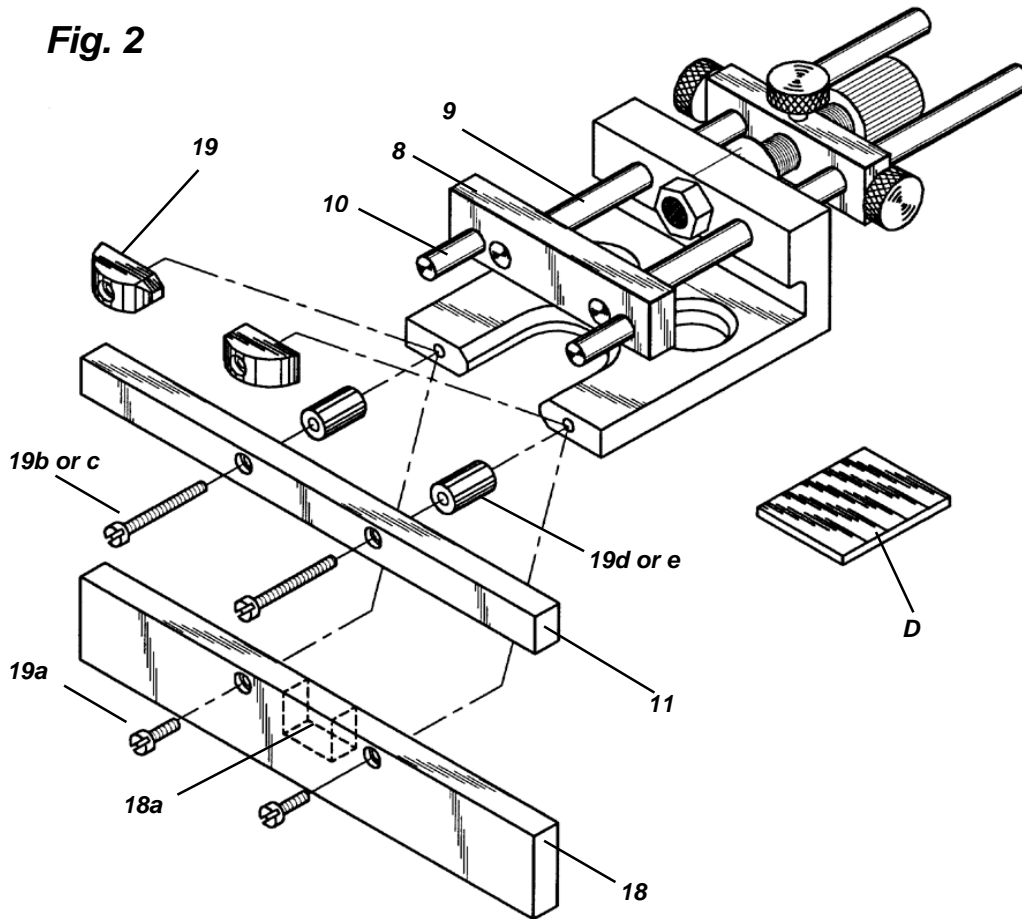


Check Your Packing List

Your Micro Fence comes with the parts and accessories shown in Fig. 2. These standard accessories make your fence an extremely versatile tool.

Fig. 2



- 8 Mounting Bar
- 9 Stainless Steel Guide Shafts
- 10 Mounting Pins
- 11 Low Profile Wood Fence
- 18 Deep Profile Wood Fence
- 18a Notch for bit pass through
- 19 Half-round inserts
- 19a 8-32 x 1/2" Fillister Screw
- 19b 8-32 x 1/4" Fillister Screw
- 19c 8-32 x 1 3/4" Fillister Screw
- 19d 5/8" Delrin Spacers
- 19e 1 1/4" Delrin Spacers
- D Rubber Pad